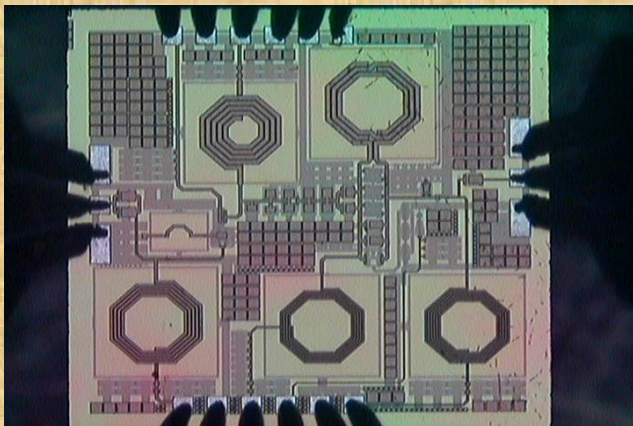
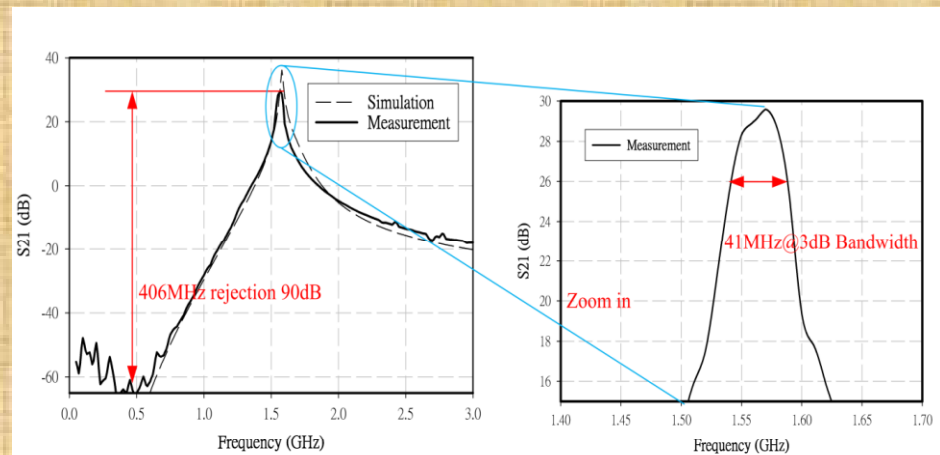


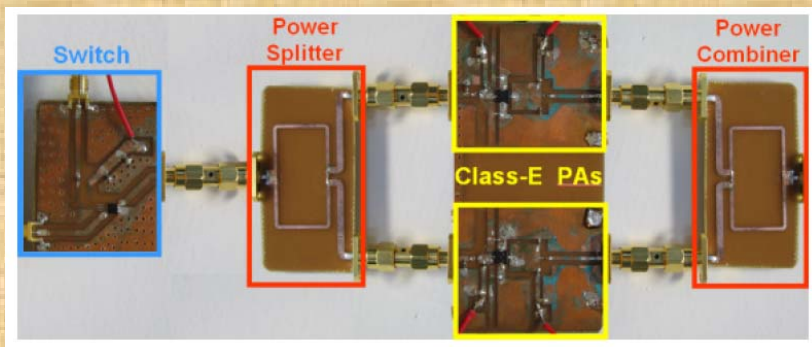
Research summary



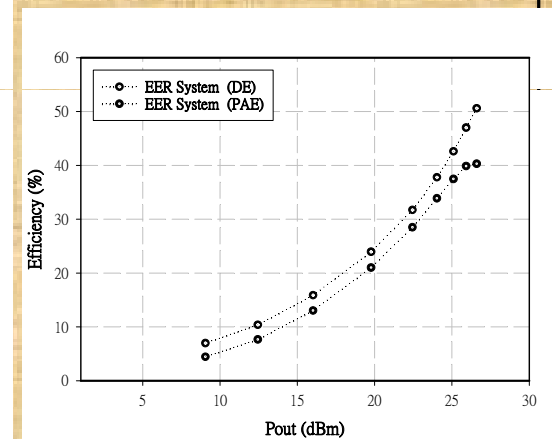
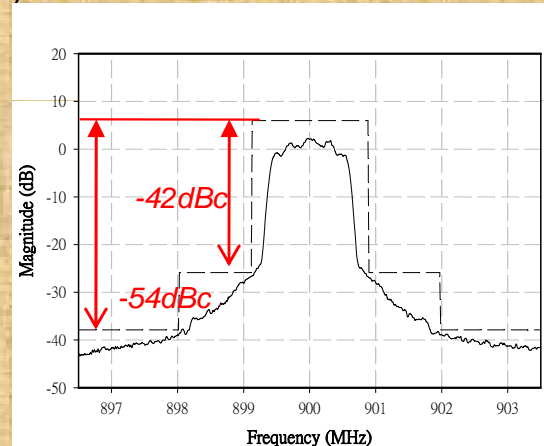
Narrowband LNA for Galileo System (1.274x1.296mm²)



Using cross-couple pair achieves narrowband function



EER PA for CDMA IS-95



Improve the linearity issue of Class-E PA by EER architecture